

PARK

MODEL CODE + FINISH CODE = ITEM CODE

RAM
TAPWARE

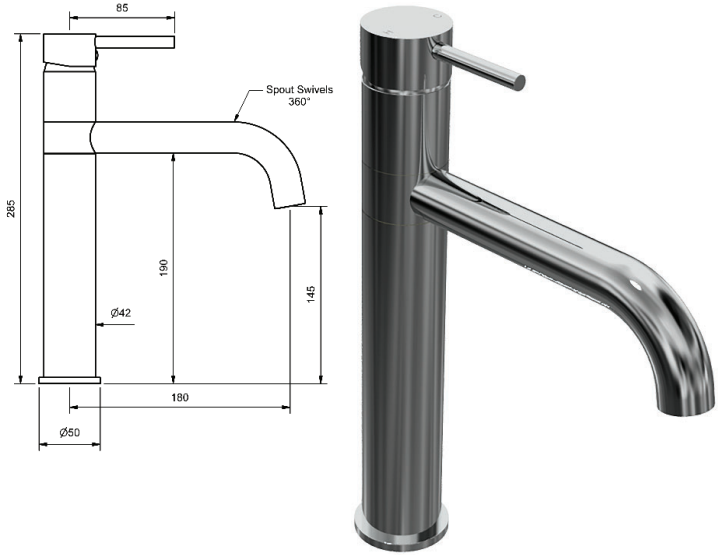


PARK SINK MIXERS

SINK MIXER

SWIVEL PILLAR STYLE

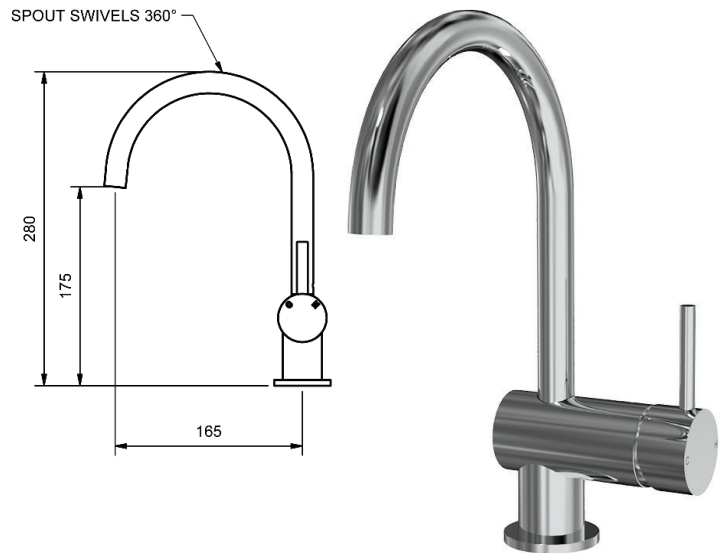
4 STAR WELS - 7.5 LPM	MODEL	FINISH	RRP INC GST
CHROME	PKLSSM	CP	\$237.58
BRUSHED CHROME	PKLSSM	BC	\$416.17
BRUSHED NICKEL	PKLSSM	BN	\$416.17
SATIN CHROME	PKLSSM	SC	\$362.78
BRUSHED BLACK SAPPHIRE	PKLSSM	BBS	\$416.17
GUNMETAL	PKLSSM	GM	\$362.78
MATT BLACK	PKLSSM	MB	\$362.78
MATT WHITE & CHROME	PKLSSM	MWC	\$388.63
WHITE & CHROME	PKLSSM	WHC	\$388.63
GOLD	PKLSSM	GP	\$553.12
BRUSHED GOLD	PKLSSM	BG	\$613.12



HORIZONTAL SINK MIXER

SWIVEL GOOSENECK SPOUT

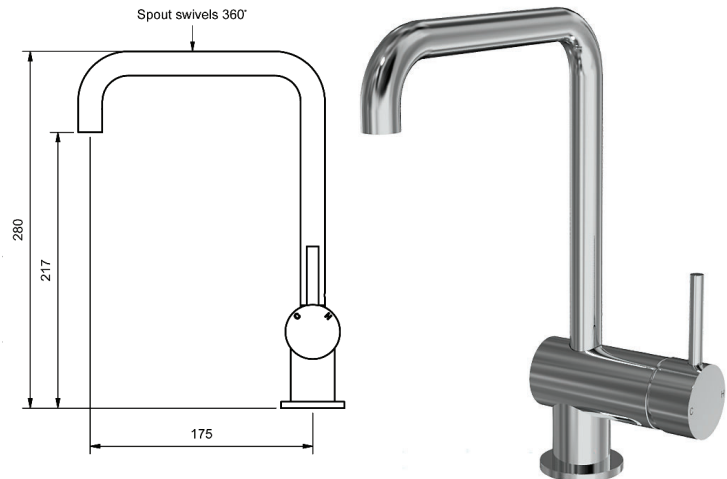
4 STAR WELS - 7.5 LPM	MODEL	FINISH	RRP INC GST
CHROME	PKLHSSM	CP	\$252.82
BRUSHED CHROME	PKLHSSM	BC	\$435.55
BRUSHED NICKEL	PKLHSSM	BN	\$435.55
SATIN CHROME	PKLHSSM	SC	\$382.16
BRUSHED BLACK SAPPHIRE	PKLHSSM	BBS	\$435.55
GUNMETAL	PKLHSSM	GM	\$382.16
MATT BLACK	PKLHSSM	MB	\$382.16
MATT WHITE & CHROME	PKLHSSM	MWC	\$403.98
WHITE & CHROME	PKLHSSM	WHC	\$403.98
GOLD	PKLHSSM	GP	\$573.86
BRUSHED GOLD	PKLHSSM	BG	\$633.97



HORIZONTAL SINK MIXER

SWIVEL SQUARELINE SPOUT

4 STAR WELS - 7.5 LPM	MODEL	FINISH	RRP INC GST
CHROME	PKLHSSMQ	CP	\$252.82
BRUSHED CHROME	PKLHSSMQ	BC	\$435.55
BRUSHED NICKEL	PKLHSSMQ	BN	\$435.55
SATIN CHROME	PKLHSSMQ	SC	\$382.16
BRUSHED BLACK SAPPHIRE	PKLHSSMQ	BBS	\$435.55
GUNMETAL	PKLHSSMQ	GM	\$382.16
MATT BLACK	PKLHSSMQ	MB	\$382.16
MATT WHITE & CHROME	PKLHSSMQ	MWC	\$403.98
WHITE & CHROME	PKLHSSMQ	WHC	\$403.98
GOLD	PKLHSSMQ	GP	\$573.86
BRUSHED GOLD	PKLHSSMQ	BG	\$633.97





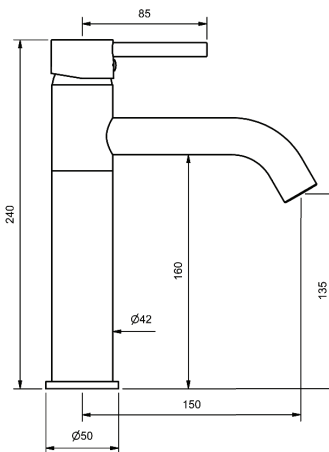
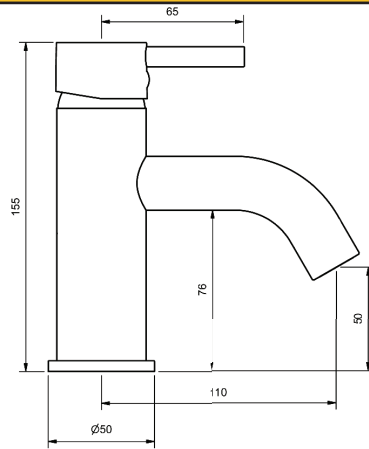
PARK BASIN MIXERS

BASIN MIXER FIXED SPOUT				
4 STAR WELS - 7.5 LPM	MODEL	FINISH	RRP	INC GST
CHROME	PKLBSM	CP	\$194.67	
BRUSHED CHROME	PKLBSM	BC	\$328.77	
BRUSHED NICKEL	PKLBSM	BN	\$328.77	
SATIN CHROME	PKLBSM	SC	\$285.98	
BRUSHED BLACK SAPPHIRE	PKLBSM	BBS	\$328.77	
GUNMETAL	PKLBSM	GM	\$285.98	
MATT BLACK	PKLBSM	MB	\$285.98	
MATT WHITE & CHROME	PKLBSM	MWC	\$307.91	
WHITE & CHROME	PKLBSM	WHC	\$307.91	
GOLD	PKLBSM	GP	\$488.21	
BRUSHED GOLD	PKLBSM	BG	\$536.25	

BASIN MIXER FIXED SPOUT				
6 STAR WELS - 4.5 LPM	MODEL	FINISH	RRP	INC GST
CHROME	PKLBSM6	CP	\$194.67	
BRUSHED CHROME	PKLBSM6	BC	\$328.77	
BRUSHED NICKEL	PKLBSM6	BN	\$328.77	
SATIN CHROME	PKLBSM6	SC	\$285.98	
BRUSHED BLACK SAPPHIRE	PKLBSM6	BBS	\$328.77	
GUNMETAL	PKLBSM6	GM	\$285.98	
MATT BLACK	PKLBSM6	MB	\$285.98	
MATT WHITE & CHROME	PKLBSM6	MWC	\$307.91	
WHITE & CHROME	PKLBSM6	WHC	\$307.91	
GOLD	PKLBSM6	GP	\$488.21	
BRUSHED GOLD	PKLBSM6	BG	\$536.25	

MEDIUM BASIN MIXER FIXED SPOUT				
4 STAR WELS - 7.5 LPM	MODEL	FINISH	RRP	INC GST
CHROME	PKLBSMM	CP	\$208.45	
BRUSHED CHROME	PKLBSMM	BC	\$376.07	
BRUSHED NICKEL	PKLBSMM	BN	\$376.07	
SATIN CHROME	PKLBSMM	SC	\$329.13	
BRUSHED BLACK SAPPHIRE	PKLBSMM	BBS	\$376.07	
GUNMETAL	PKLBSMM	GM	\$329.13	
MATT BLACK	PKLBSMM	MB	\$329.13	
MATT WHITE & CHROME	PKLBSMM	MWC	\$340.71	
WHITE & CHROME	PKLBSMM	WHC	\$340.71	
GOLD	PKLBSMM	GP	\$576.19	
BRUSHED GOLD	PKLBSMM	BG	\$629.04	

MEDIUM BASIN MIXER FIXED SPOUT				
6 STAR WELS - 4.5 LPM	MODEL	FINISH	RRP	INC GST
CHROME	PKLBSMM6	CP	\$208.45	
BRUSHED CHROME	PKLBSMM6	BC	\$376.07	
BRUSHED NICKEL	PKLBSMM6	BN	\$376.07	
SATIN CHROME	PKLBSMM6	SC	\$329.13	
BRUSHED BLACK SAPPHIRE	PKLBSMM6	BBS	\$376.07	
GUNMETAL	PKLBSMM6	GM	\$329.13	
MATT BLACK	PKLBSMM6	MB	\$329.13	
MATT WHITE & CHROME	PKLBSMM6	MWC	\$340.71	
WHITE & CHROME	PKLBSMM6	WHC	\$340.71	
GOLD	PKLBSMM6	GP	\$576.19	
BRUSHED GOLD	PKLBSMM6	BG	\$629.04	





TALL BASIN MIXER

FIXED SPOUT

4 STAR WELS - 7.5 LPM	MODEL	FINISH	RRP INC GST
CHROME	PKLBSMT	CP	\$221.73
BRUSHED CHROME	PKLBSMT	BC	\$400.32
BRUSHED NICKEL	PKLBSMT	BN	\$400.32
SATIN CHROME	PKLBSMT	SC	\$346.92
BRUSHED BLACK SAPPHIRE	PKLBSMT	BBS	\$400.32
GUNMETAL	PKLBSMT	GM	\$346.92
MATT BLACK	PKLBSMT	MB	\$346.92
MATT WHITE & CHROME	PKLBSMT	MWC	\$353.87
WHITE & CHROME	PKLBSMT	WHC	\$353.87
GOLD	PKLBSMT	GP	\$601.85
BRUSHED GOLD	PKLBSMT	BG	\$661.98

TALL BASIN MIXER

FIXED SPOUT

6 STAR WELS - 4.5 LPM	MODEL	FINISH	RRP INC GST
CHROME	PKLBSMT6	CP	\$221.73
BRUSHED CHROME	PKLBSMT6	BC	\$400.32
BRUSHED NICKEL	PKLBSMT6	BN	\$400.32
SATIN CHROME	PKLBSMT6	SC	\$346.92
BRUSHED BLACK SAPPHIRE	PKLBSMT6	BBS	\$400.32
GUNMETAL	PKLBSMT6	GM	\$346.92
MATT BLACK	PKLBSMT6	MB	\$346.92
MATT WHITE & CHROME	PKLBSMT6	MWC	\$353.87
WHITE & CHROME	PKLBSMT6	WHC	\$353.87
GOLD	PKLBSMT6	GP	\$601.85
BRUSHED GOLD	PKLBSMT6	BG	\$661.98



HORIZONTAL BASIN MIXER

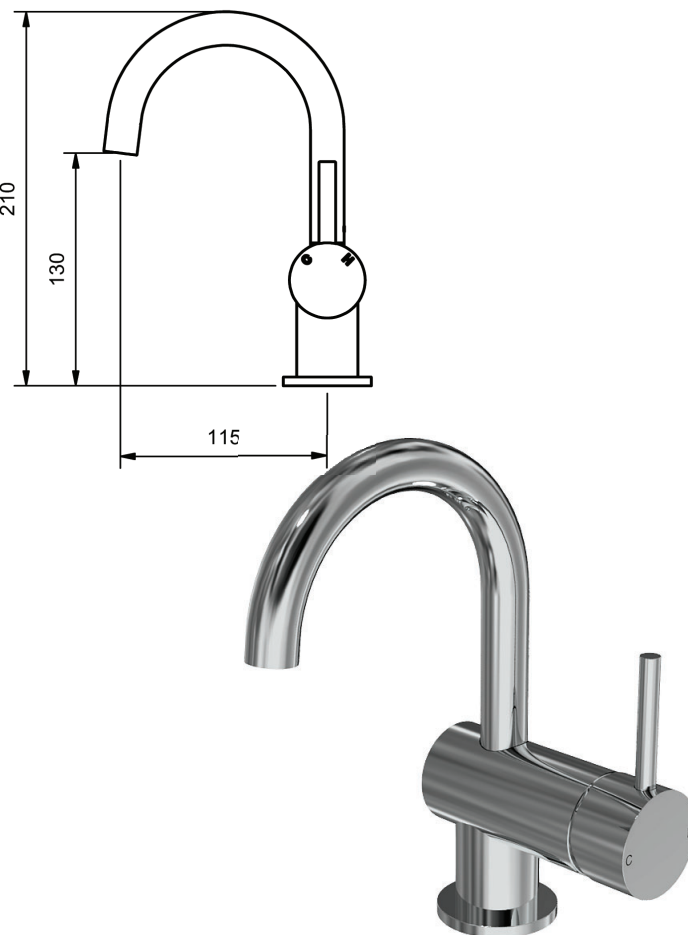
SWIVEL GOOSENECK SPOUT

4 STAR WELS - 7.5 LPM	MODEL	FINISH	RRP INC GST
CHROME	PKLHBSM	CP	\$252.82
BRUSHED CHROME	PKLHBSM	BC	\$435.55
BRUSHED NICKEL	PKLHBSM	BN	\$435.55
SATIN CHROME	PKLHBSM	SC	\$382.16
BRUSHED BLACK SAPPHIRE	PKLHBSM	BBS	\$435.55
GUNMETAL	PKLHBSM	GM	\$382.16
MATT BLACK	PKLHBSM	MB	\$382.16
MATT WHITE & CHROME	PKLHBSM	MWC	\$403.98
WHITE & CHROME	PKLHBSM	WHC	\$403.98
GOLD	PKLHBSM	GP	\$573.86
BRUSHED GOLD	PKLHBSM	BG	\$633.97

HORIZONTAL BASIN MIXER

SWIVEL GOOSENECK SPOUT

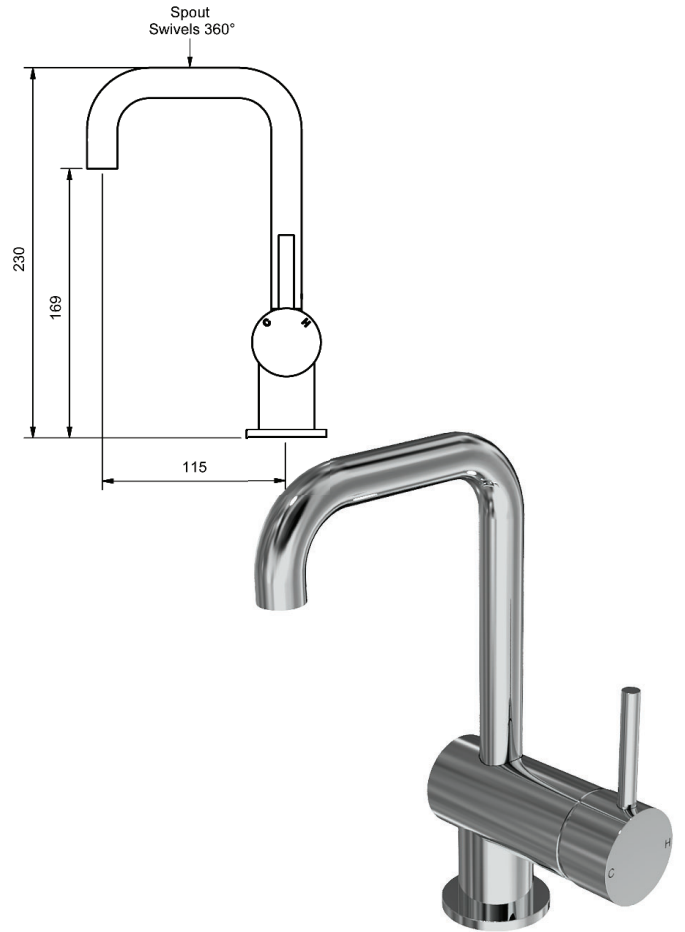
6 STAR WELS - 4.5 LPM	MODEL	FINISH	RRP INC GST
CHROME	PKLHBSM6	CP	\$252.82
BRUSHED CHROME	PKLHBSM6	BC	\$435.55
BRUSHED NICKEL	PKLHBSM6	BN	\$435.55
SATIN CHROME	PKLHBSM6	SC	\$382.16
BRUSHED BLACK SAPPHIRE	PKLHBSM6	BBS	\$435.55
GUNMETAL	PKLHBSM6	GM	\$382.16
MATT BLACK	PKLHBSM6	MB	\$382.16
MATT WHITE & CHROME	PKLHBSM6	MWC	\$403.98
WHITE & CHROME	PKLHBSM6	WHC	\$403.98
GOLD	PKLHBSM6	GP	\$573.86
BRUSHED GOLD	PKLHBSM6	BG	\$633.97





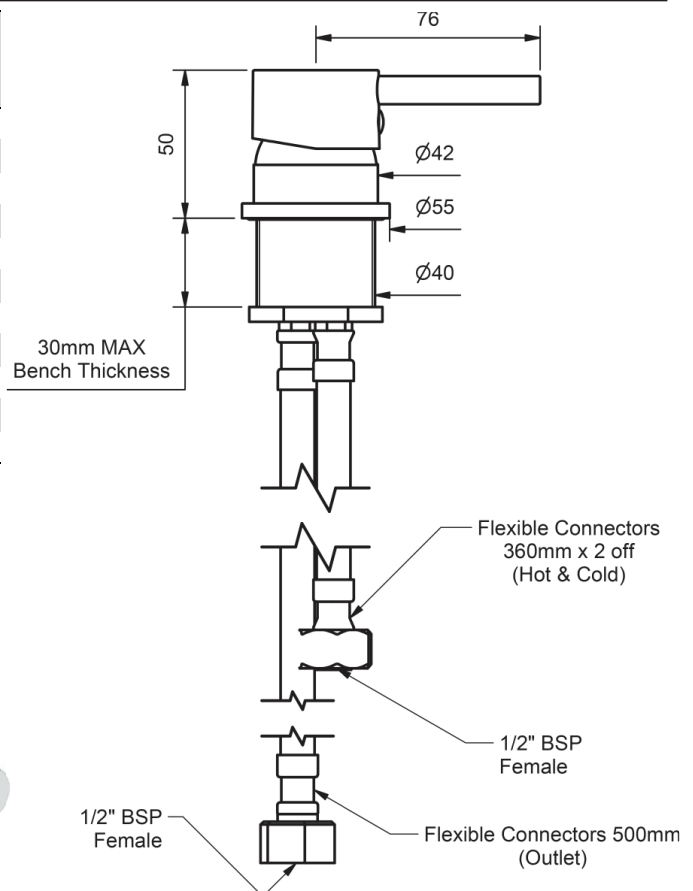
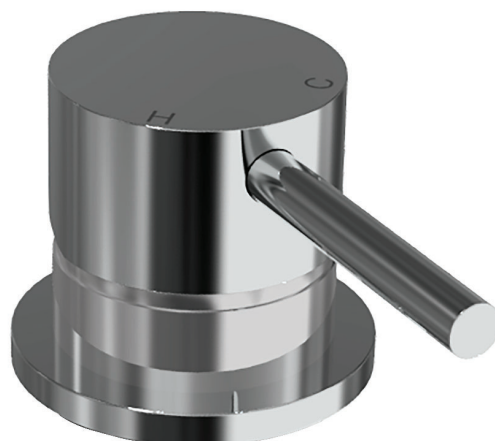
HORIZONTAL BASIN MIXER SWIVEL SQUARELINE SPOUT 4 STAR WELS - 7.5 LPM				
	MODEL	FINISH	RRP	INC GST
CHROME	PKLHBSMQ	CP	\$252.82	
BRUSHED CHROME	PKLHBSMQ	BC	\$435.55	
BRUSHED NICKEL	PKLHBSMQ	BN	\$435.55	
SATIN CHROME	PKLHBSMQ	SC	\$382.16	
BRUSHED BLACK SAPPHIRE	PKLHBSMQ	BBS	\$435.55	
GUNMETAL	PKLHBSMQ	GM	\$382.16	
MATT BLACK	PKLHBSMQ	MB	\$382.16	
MATT WHITE & CHROME	PKLHBSMQ	MWC	\$403.98	
WHITE & CHROME	PKLHBSMQ	WHC	\$403.98	
GOLD	PKLHBSMQ	GP	\$573.86	
BRUSHED GOLD	PKLHBSMQ	BG	\$633.97	

HORIZONTAL BASIN MIXER SWIVEL SQUARELINE SPOUT 6 STAR WELS - 4.5 LPM				
	MODEL	FINISH	RRP	INC GST
CHROME	PKLHBSMQ6	CP	\$252.82	
BRUSHED CHROME	PKLHBSMQ6	BC	\$435.55	
BRUSHED NICKEL	PKLHBSMQ6	BN	\$435.55	
SATIN CHROME	PKLHBSMQ6	SC	\$382.16	
BRUSHED BLACK SAPPHIRE	PKLHBSMQ6	BBS	\$435.55	
GUNMETAL	PKLHBSMQ6	GM	\$382.16	
MATT BLACK	PKLHBSMQ6	MB	\$382.16	
MATT WHITE & CHROME	PKLHBSMQ6	MWC	\$403.98	
WHITE & CHROME	PKLHBSMQ6	WHC	\$403.98	
GOLD	PKLHBSMQ6	GP	\$573.86	
BRUSHED GOLD	PKLHBSMQ6	BG	\$633.97	



PARK REMOTE HOB MIXERS

HOB REMOTE MIXER				
	MODEL	FINISH	RRP	INC GST
CHROME	PKLRM	CP	\$157.74	
BRUSHED CHROME	PKLRM	BC	\$240.27	
BRUSHED NICKEL	PKLRM	BN	\$240.27	
SATIN CHROME	PKLRM	SC	\$208.20	
BRUSHED BLACK SAPPHIRE	PKLRM	BBS	\$240.27	
GUNMETAL	PKLRM	GM	\$208.20	
MATT BLACK	PKLRM	MB	\$208.20	
MATT WHITE & CHROME	PKLRM	MWC	\$233.19	
WHITE & CHROME	PKLRM	WHC	\$233.19	
GOLD	PKLRM	GP	\$332.16	
BRUSHED GOLD	PKLRM	BG	\$368.26	



PARK

MODEL CODE + FINISH CODE = ITEM CODE

RAM
TAPWARE

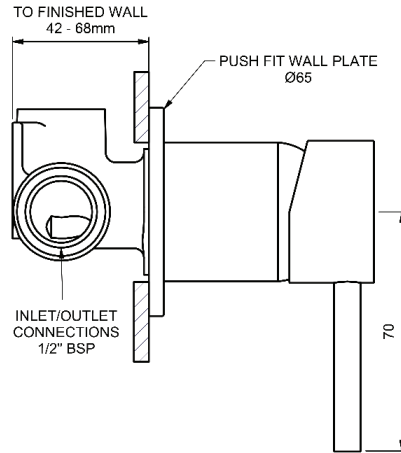


PARK WALL MIXERS

WALL MIXER

SOLID ROUND PLATE

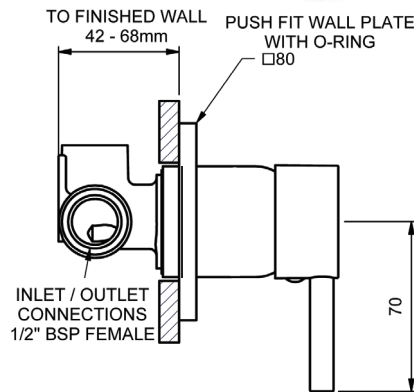
	MODEL	FINISH	RRP INC GST
CHROME	PKLSM	CP	\$143.97
BRUSHED CHROME	PKLSM	BC	\$226.61
BRUSHED NICKEL	PKLSM	BN	\$226.61
SATIN CHROME	PKLSM	SC	\$194.55
BRUSHED BLACK SAPPHIRE	PKLSM	BBS	\$226.61
GUNMETAL	PKLSM	GM	\$194.55
MATT BLACK	PKLSM	MB	\$194.55
MATT WHITE & CHROME	PKLSM	MWC	\$257.33
WHITE & CHROME	PKLSM	WHC	\$257.33
GOLD	PKLSM	GP	\$316.78
BRUSHED GOLD	PKLSM	BG	\$352.88



WALL MIXER

SOLID SQUARE PLATE

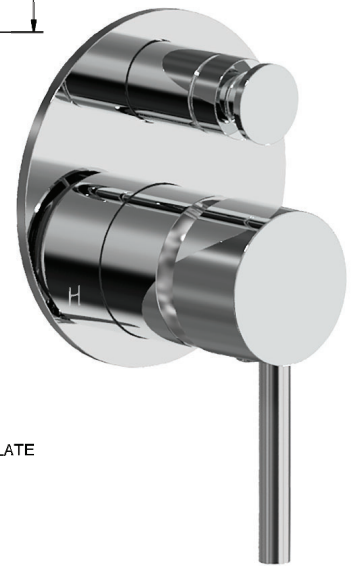
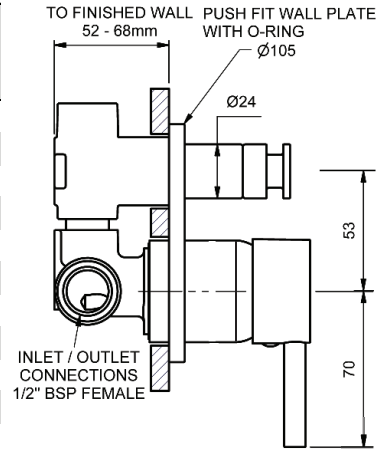
	MODEL	FINISH	RRP INC GST
CHROME	PKQLSM	CP	\$154.21
BRUSHED CHROME	PKQLSM	BC	\$236.85
BRUSHED NICKEL	PKQLSM	BN	\$236.85
SATIN CHROME	PKQLSM	SC	\$204.79
BRUSHED BLACK SAPPHIRE	PKQLSM	BBS	\$236.85
GUNMETAL	PKQLSM	GM	\$204.79
MATT BLACK	PKQLSM	MB	\$204.79
MATT WHITE & CHROME	PKQLSM	MWC	\$267.57
WHITE & CHROME	PKQLSM	WHC	\$267.57
GOLD	PKQLSM	GP	\$328.31
BRUSHED GOLD	PKQLSM	BG	\$364.41



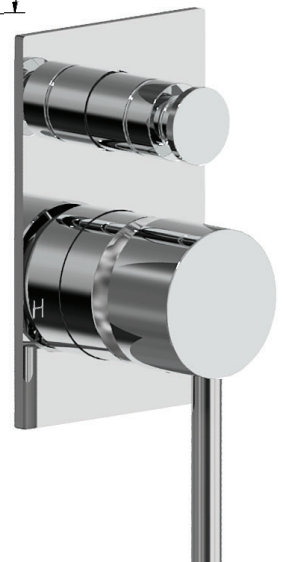
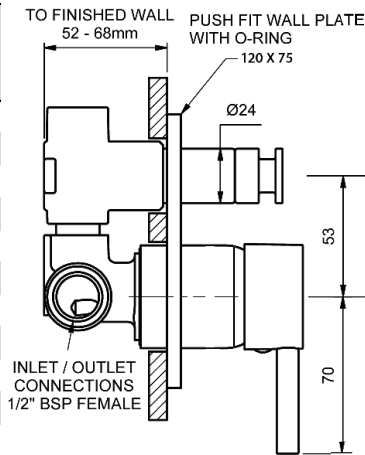


PARK DIVERTER MIXERS

WALL DIVERTER MIXER SOLID ROUND PLATE				
	MODEL	FINISH	RRP	INC GST
CHROME	PKLDSM	CP	\$316.58	
BRUSHED CHROME	PKLDSM	BC	\$432.25	
BRUSHED NICKEL	PKLDSM	BN	\$432.25	
SATIN CHROME	PKLDSM	SC	\$400.20	
BRUSHED BLACK SAPPHIRE	PKLDSM	BBS	\$432.25	
GUNMETAL	PKLDSM	GM	\$400.20	
MATT BLACK	PKLDSM	MB	\$400.20	
MATT WHITE & CHROME	PKLDSM	MWC	\$467.73	
WHITE & CHROME	PKLDSM	WHC	\$467.73	
GOLD	PKLDSM	GP	\$550.11	
BRUSHED GOLD	PKLDSM	BG	\$586.21	



WALL DIVERTER MIXER SOLID RECTANGULAR PLATE				
	MODEL	FINISH	RRP	INC GST
CHROME	PKQLDSM	CP	\$334.73	
BRUSHED CHROME	PKQLDSM	BC	\$450.30	
BRUSHED NICKEL	PKQLDSM	BN	\$450.30	
SATIN CHROME	PKQLDSM	SC	\$418.25	
BRUSHED BLACK SAPPHIRE	PKQLDSM	BBS	\$450.30	
GUNMETAL	PKQLDSM	GM	\$418.25	
MATT BLACK	PKQLDSM	MB	\$418.25	
MATT WHITE & CHROME	PKQLDSM	MWC	\$485.77	
WHITE & CHROME	PKQLDSM	WHC	\$485.77	
GOLD	PKQLDSM	GP	\$570.42	
BRUSHED GOLD	PKQLDSM	BG	\$606.53	



PARK

MODEL CODE + FINISH CODE = ITEM CODE

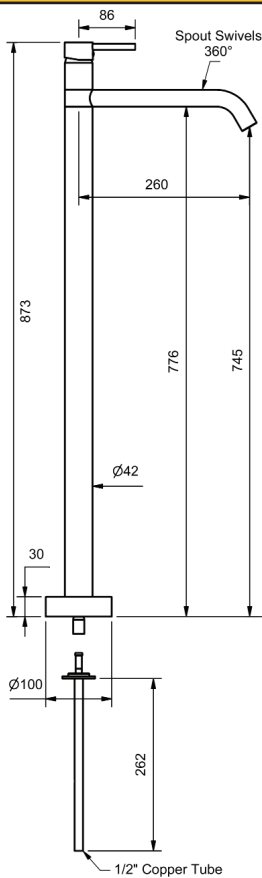
RAM
TAPWARE



PARK FLOOR MOUNT BATH FILLERS

FLOOR MOUNTED BATH FILLER SWIVEL SPOUT

	MODEL	FINISH	RRP INC GST
	CHROME	PKFMSBHM CP	\$938.13
	BRUSHED CHROME	PKFMSBHM BC	\$1,202.91
	BRUSHED NICKEL	PKFMSBHM BN	\$1,202.91
	SATIN CHROME	PKFMSBHM SC	\$1,138.79
	BRUSHED BLACK SAPPHIRE	PKFMSBHM BBS	\$1,202.91
	GUNMETAL	PKFMSBHM GM	\$1,138.79
	MATT BLACK	PKFMSBHM MB	\$1,138.79
	MATT WHITE & CHROME	PKFMSBHM MWC	\$1,174.26
	WHITE & CHROME	PKFMSBHM WHC	\$1,174.26
	GOLD	PKFMSBHM GP	\$1,767.81
	BRUSHED GOLD	PKFMSBHM BG	\$1,840.00



PARK BIDETTE MIXERS

BIDETTE MIXER

	MODEL	FINISH	RRP INC GST
	CHROME	PKLBDM CP	\$388.98
	BRUSHED CHROME	PKLBDM BC	\$575.37
	BRUSHED NICKEL	PKLBDM BN	\$575.37
	SATIN CHROME	PKLBDM SC	\$537.82
	BRUSHED BLACK SAPPHIRE	PKLBDM BBS	\$575.37
	GUNMETAL	PKLBDM GM	\$537.82
	MATT BLACK	PKLBDM MB	\$537.82
	MATT WHITE & CHROME	PKLBDM MWC	\$558.92
	WHITE & CHROME	PKLBDM WHC	\$558.92
	GOLD	PKLBDM GP	\$700.54
	BRUSHED GOLD	PKLBDM BG	\$742.81

