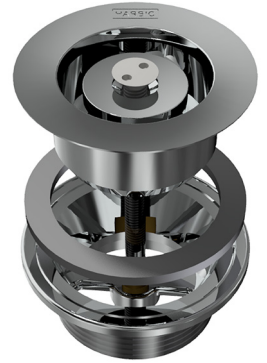
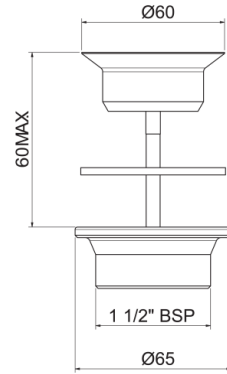




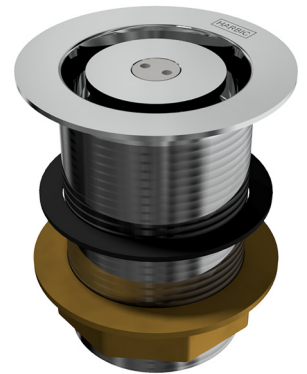
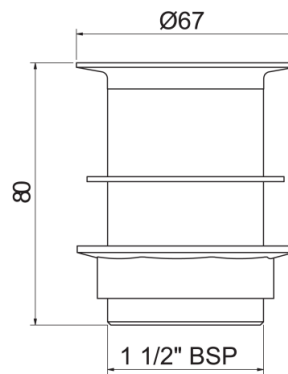
CHROME

**SECURITY WASTES**

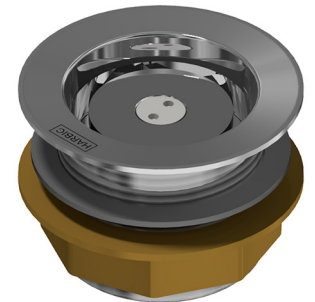
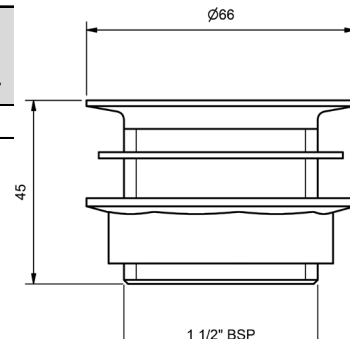
<b>32MM 2 PART SECURITY BASIN WASTE CONCEALED WATERWAY &amp; SNAKE EYE SCEW</b>		
	<b>MODEL</b>	<b>RRP INC GST</b>
CHROME	WTSR32-40CCP	\$153.82



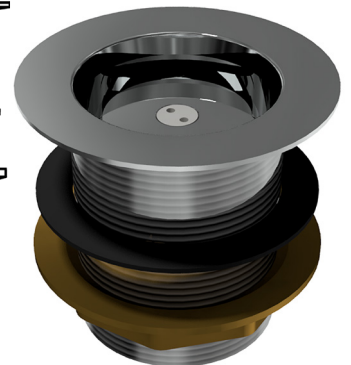
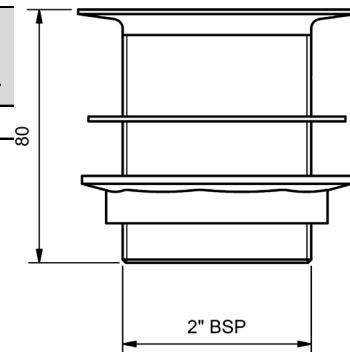
<b>40 X 80MM SECURITY BASIN WASTE CONCEALED WATERWAY &amp; SNAKE EYE SCEW</b>		
	<b>MODEL</b>	<b>RRP INC GST</b>
CHROME	PWSR4080CP	\$168.21



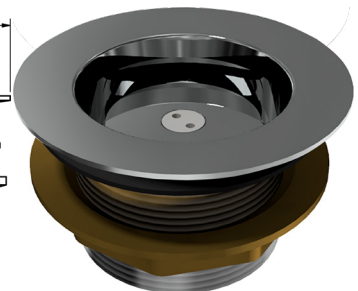
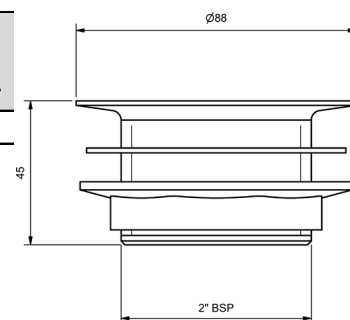
<b>40 X 45MM SECURITY BASIN WASTE CONCEALED WATERWAY &amp; SNAKE EYE SCEW</b>		
	<b>MODEL</b>	<b>RRP INC GST</b>
CHROME	PWSR4045CP	\$168.21



<b>50 X 80MM SECURITY BASIN WASTE CONCEALED WATERWAY &amp; SNAKE EYE SCEW</b>		
	<b>MODEL</b>	<b>RRP INC GST</b>
CHROME	PWSR5080CP	\$181.27



<b>50 X 45MM SECURITY BASIN WASTE CONCEALED WATERWAY &amp; SNAKE EYE SCEW</b>		
	<b>MODEL</b>	<b>RRP INC GST</b>
CHROME	PWSR5045CP	\$181.27



# SECURITY WASTES

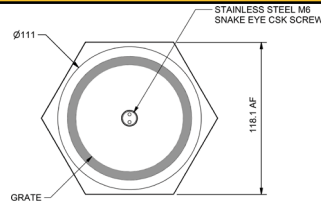
**HARBIC**  
BRASSWARE



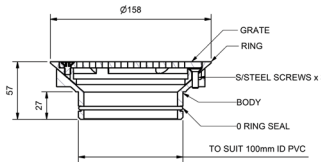
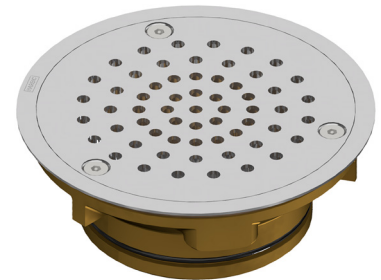
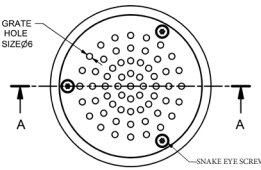
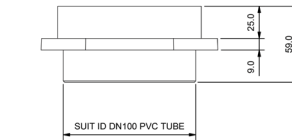
CHROME

SLIP RESISTANT FINISH AVAILABLE  
ON ALL FLOOR WASTES - POA

100MM SECURITY FLOOR WASTE CONCEALED WATERWAY & SNAKE EYE SCEW		
MODEL	RRP	INC GST
CHROME SFGSRP100CP	\$247.87	



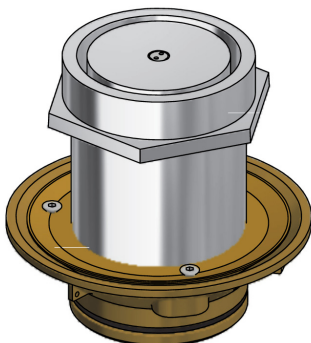
150 X 100MM WATCHHOUSE SECURITY FLOOR WASTE 6MM HOLES & SNAKE EYE SCEWS		
MODEL	RRP	INC GST
CHROME SFGSRP150100CP	\$209.51	



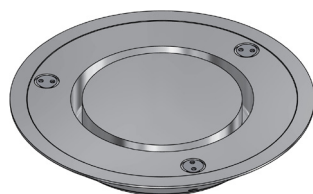
**PLEASE NOTE:**  
**ALL SECURITY WASTES ARE SPECIAL MANUFACTURE AND THE LEAD TIME IS 6 WORKING WEEKS FROM RECEIPT OF ORDER**

**ALSO AVAILABLE WITHIN THE SECURITY RANGE OF PRODUCTS FROM HARBIC BRASSWARE:**

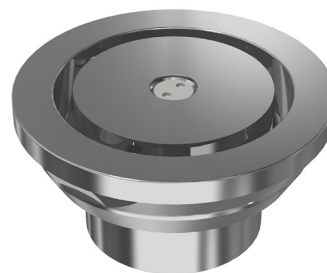
DUAL MEMBRANE FLOOR WASTES  
SUIT 100MM PVC



SECURITY GRATE SUIT VINYL FLOORS



50MM CUP PATTERN FLOOR WASTE



PRICES AND LEAD TIME SUBJECT TO QUANTITIES.