



32MM TAPERED BASIN WASTE 80 TAIL & RUBBER STOPPER

	MODEL	RRP INC GST
CHROME	PWT3280CP	\$16.83
BRUSHED CHROME	PWT3280BN	\$72.77
BRUSHED NICKEL	PWT3280BC	\$72.77
SATIN CHROME	PWT3280SC	\$63.95
BRUSHED BLACK SAPPHIRE	PWT3280BBS	\$72.77
GUNMETAL	PWT3280GM	\$63.95
MATT BLACK	PWT3280MB	\$63.95
POLISHED BRASS	PWT3280PB	\$30.49
BRUSHED BRASS	PWT3280BB	\$52.19
MATT WHITE	PWT3280MW	\$71.19
WHITE	PWT3280WH	\$71.19
GOLD	PWT3280GP	\$119.24
BRUSHED GOLD	PWT3280BG	\$129.28

32MM TAPERED BASIN WASTE OVERFLOW, 80MM TAIL, & RUBBER STOPPER

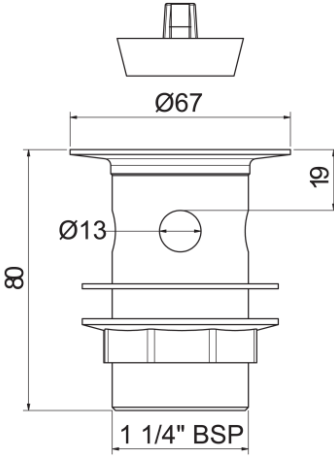
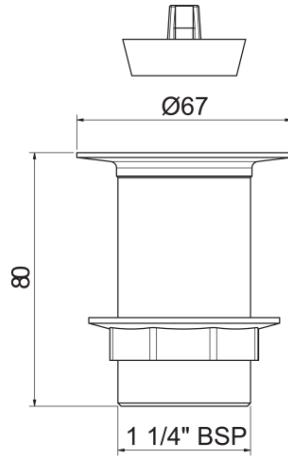
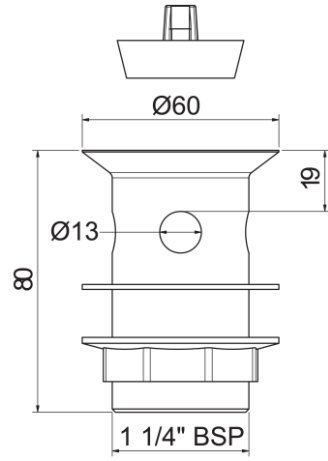
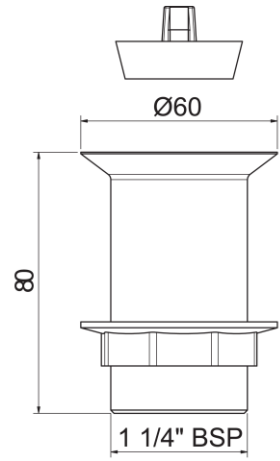
	MODEL	RRP INC GST
CHROME	PWT3280OCP	\$16.83
BRUSHED CHROME	PWT3280OBN	\$72.77
BRUSHED NICKEL	PWT3280OBC	\$72.77
SATIN CHROME	PWT3280OSC	\$63.95
BRUSHED BLACK SAPPHIRE	PWT3280OBBS	\$72.77
GUNMETAL	PWT3280OGM	\$63.95
MATT BLACK	PWT3280OMB	\$63.95
POLISHED BRASS	PWT3280OPB	\$30.49
BRUSHED BRASS	PWT3280OBB	\$52.19
MATT WHITE	PWT3280OMW	\$71.19
WHITE	PWT3280OWH	\$71.19
GOLD	PWT3280OGP	\$119.24
BRUSHED GOLD	PWT3280OBG	\$129.28

32MM BASIN WASTE 80MM TAIL, & RUBBER STOPPER

	MODEL	RRP INC GST
CHROME	PW3280CP	\$16.60
BRUSHED CHROME	PW3280BN	\$72.46
BRUSHED NICKEL	PW3280BC	\$72.46
SATIN CHROME	PW3280SC	\$63.63
BRUSHED BLACK SAPPHIRE	PW3280BBS	\$72.46
GUNMETAL	PW3280GM	\$63.63
MATT BLACK	PW3280MB	\$63.63
POLISHED BRASS	PW3280PB	\$30.16
BRUSHED BRASS	PW3280BB	\$51.88
MATT WHITE	PW3280MW	\$70.85
WHITE	PW3280WH	\$70.85
GOLD	PW3280GP	\$118.88
BRUSHED GOLD	PW3280BG	\$128.91

32MM BASIN WASTE OVERFLOW, 80MM TAIL, & RUBBER STOPPER

	MODEL	RRP INC GST
CHROME	PW3280OCP	\$16.60
BRUSHED CHROME	PW3280OBN	\$72.46
BRUSHED NICKEL	PW3280OBC	\$72.46
SATIN CHROME	PW3280OSC	\$63.63
BRUSHED BLACK SAPPHIRE	PW3280OBBS	\$72.46
GUNMETAL	PW3280OGM	\$63.63
MATT BLACK	PW3280OMB	\$63.63
POLISHED BRASS	PW3280OPB	\$30.16
BRUSHED BRASS	PW3280OBB	\$51.88
MATT WHITE	PW3280OMW	\$70.85
WHITE	PW3280OWH	\$70.85
GOLD	PW3280OGP	\$118.88
BRUSHED GOLD	PW3280OBG	\$128.91



RUBBER PLUG & WASTES

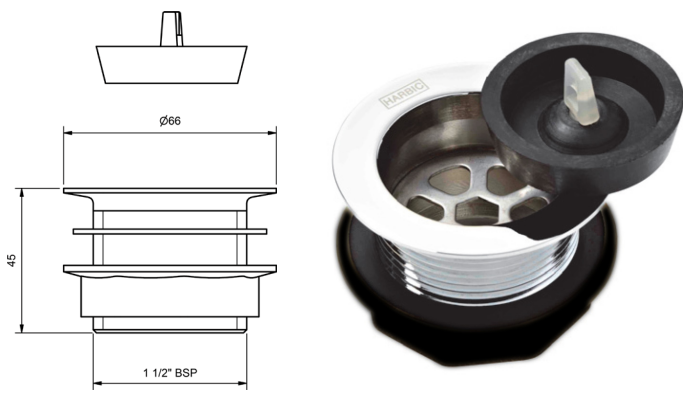
HARBIC
BRASSWARE



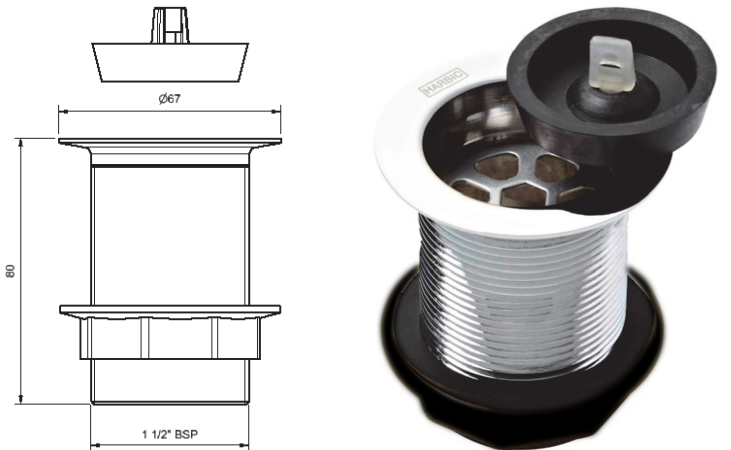
2 PART TAPERED BASIN WASTE 32MM TOP, 40mm BSP BASE, & RUBBER STOPPER			
MODEL			RRP INC GST
CHROME	PWT32-40CCP		\$16.37
BRUSHED CHROME	PWT32-40BN		\$94.79
BRUSHED NICKEL	PWT32-40BC		\$94.79
SATIN CHROME	PWT32-40SC		\$81.53
BRUSHED BLACK SAPPHIRE	PWT32-40BBS		\$94.79
GUNMETAL	PWT32-40GM		\$81.53
MATT BLACK	PWT32-40MB		\$81.53
POLISHED BRASS	PWT32-40PB		\$28.19
BRUSHED BRASS	PWT32-40BB		\$49.91
MATT WHITE	PWT32-40MW		\$92.40
WHITE	PWT32-40WH		\$92.40
GOLD	PWT32-40GP		\$120.34
BRUSHED GOLD	PWT32-40BG		\$135.40



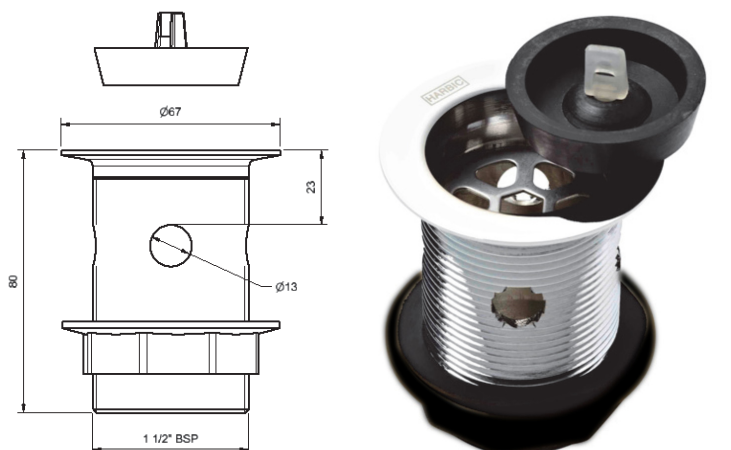
40MM BATH OR BASIN WASTE 45MM TAIL, & RUBBER STOPPER			
MODEL			RRP INC GST
CHROME	PW4045CP		\$13.94
BRUSHED CHROME	PW4045BN		\$74.22
BRUSHED NICKEL	PW4045BC		\$74.22
SATIN CHROME	PW4045SC		\$65.40
BRUSHED BLACK SAPPHIRE	PW4045BBS		\$74.22
GUNMETAL	PW4045GM		\$65.40
MATT BLACK	PW4045MB		\$65.40
POLISHED BRASS	PW4045PB		\$28.36
BRUSHED BRASS	PW4045BB		\$50.06
MATT WHITE	PW4045MW		\$72.62
WHITE	PW4045WH		\$72.62
GOLD	PW4045GP		\$117.21
BRUSHED GOLD	PW4045BG		\$127.24



40MM BATH OR BASIN WASTE 80MM TAIL, & RUBBER STOPPER			
MODEL			RRP INC GST
CHROME	PW4080CP		\$17.48
BRUSHED CHROME	PW4080BN		\$77.64
BRUSHED NICKEL	PW4080BC		\$77.64
SATIN CHROME	PW4080SC		\$68.82
BRUSHED BLACK SAPPHIRE	PW4080BBS		\$77.64
GUNMETAL	PW4080GM		\$68.82
MATT BLACK	PW4080MB		\$68.82
POLISHED BRASS	PW4080PB		\$31.78
BRUSHED BRASS	PW4080BB		\$53.48
MATT WHITE	PW4080MW		\$76.03
WHITE	PW4080WH		\$76.03
GOLD	PW4080GP		\$120.70
BRUSHED GOLD	PW4080BG		\$130.74



40MM BATH OR BASIN WASTE OVERFLOW, 80MM TAIL, & RUBBER STOPPER			
MODEL			RRP INC GST
CHROME	PW4080OCP		\$17.48
BRUSHED CHROME	PW4080OBN		\$77.64
BRUSHED NICKEL	PW4080OBC		\$77.64
SATIN CHROME	PW4080OSC		\$68.82
BRUSHED BLACK SAPPHIRE	PW4080OBBS		\$77.64
GUNMETAL	PW4080OGM		\$68.82
MATT BLACK	PW4080OMB		\$68.82
POLISHED BRASS	PW4080OPB		\$31.78
BRUSHED BRASS	PW4080OBB		\$53.48
MATT WHITE	PW4080OMW		\$76.03
WHITE	PW4080OWH		\$76.03
GOLD	PW4080OGP		\$120.70
BRUSHED GOLD	PW4080OBG		\$130.74



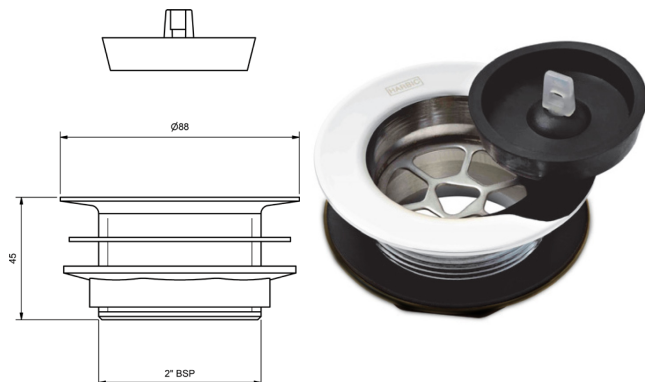
ALL PRICES ARE RRP INCLUDING GST

BRASSWARE



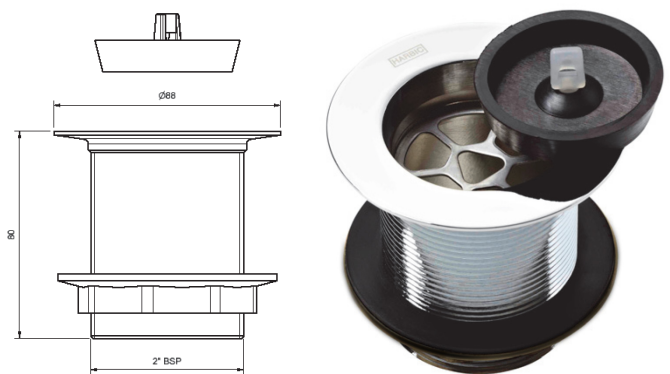
50MM BATH OR SINK WASTE 45MM TAIL, & RUBBER STOPPER

	MODEL	RRP INC GST
CHROME	PW5045CP	\$19.70
BRUSHED CHROME	PW5045BN	\$75.38
BRUSHED NICKEL	PW5045BC	\$75.38
SATIN CHROME	PW5045SC	\$66.56
BRUSHED BLACK SAPPHIRE	PW5045BBS	\$75.38
GUNMETAL	PW5045GM	\$66.56
MATT BLACK	PW5045MB	\$66.56
POLISHED BRASS	PW5045PB	\$29.52
BRUSHED BRASS	PW5045BB	\$51.23
MATT WHITE	PW5045MW	\$73.80
WHITE	PW5045WH	\$73.80
GOLD	PW5045GP	\$118.88
BRUSHED GOLD	PW5045BG	\$128.91



50MM BATH OR SINK WASTE 80MM TAIL, & RUBBER STOPPER

	MODEL	RRP INC GST
CHROME	PW5080CP	\$26.34
BRUSHED CHROME	PW5080BN	\$81.80
BRUSHED NICKEL	PW5080BC	\$81.80
SATIN CHROME	PW5080SC	\$72.98
BRUSHED BLACK SAPPHIRE	PW5080BBS	\$81.80
GUNMETAL	PW5080GM	\$72.98
MATT BLACK	PW5080MB	\$72.98
POLISHED BRASS	PW5080PB	\$35.94
BRUSHED BRASS	PW5080BB	\$57.65
MATT WHITE	PW5080MW	\$80.22
WHITE	PW5080WH	\$80.22
GOLD	PW5080GP	\$125.43
BRUSHED GOLD	PW5080BG	\$135.48



50MM BATH OR SINK WASTE OVERFLOW, 80MM TAIL, & RUBBER STOPPER

	MODEL	RRP INC GST
CHROME	PW5080OCP	\$26.34
BRUSHED CHROME	PW5080OBN	\$81.80
BRUSHED NICKEL	PW5080OBC	\$81.80
SATIN CHROME	PW5080OSC	\$72.98
BRUSHED BLACK SAPPHIRE	PW5080OBBS	\$81.80
GUNMETAL	PW5080OGM	\$72.98
MATT BLACK	PW5080OMB	\$72.98
POLISHED BRASS	PW5080OPB	\$35.94
BRUSHED BRASS	PW5080OBB	\$57.65
MATT WHITE	PW5080OMW	\$80.22
WHITE	PW5080OWH	\$80.22
GOLD	PW5080OGP	\$125.43
BRUSHED GOLD	PW5080OBG	\$135.48

