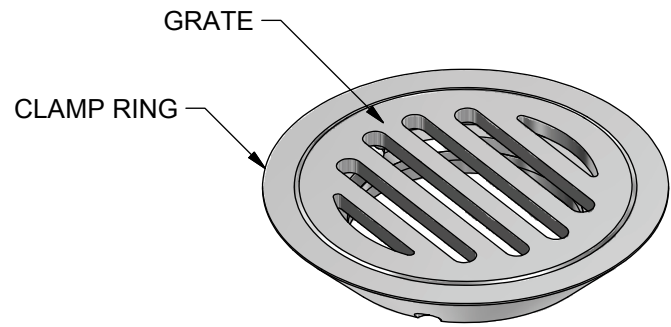
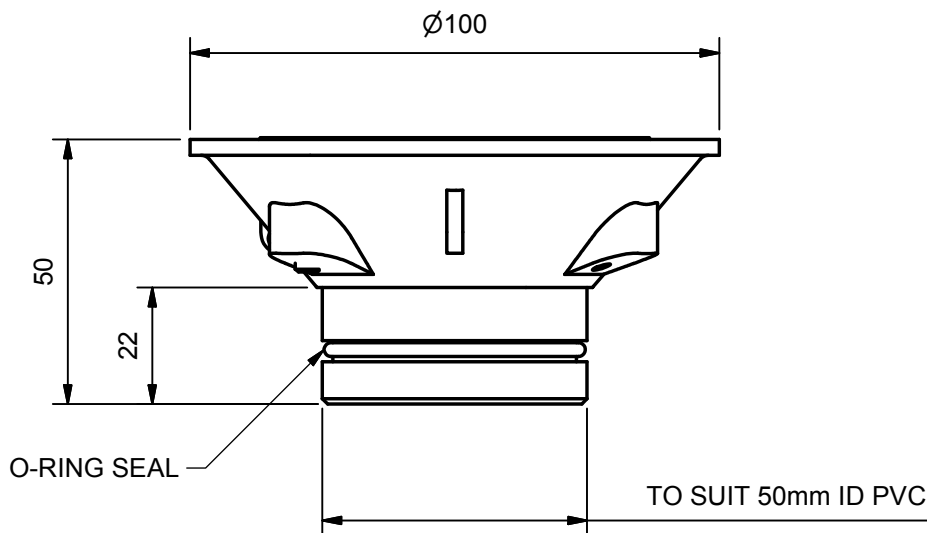
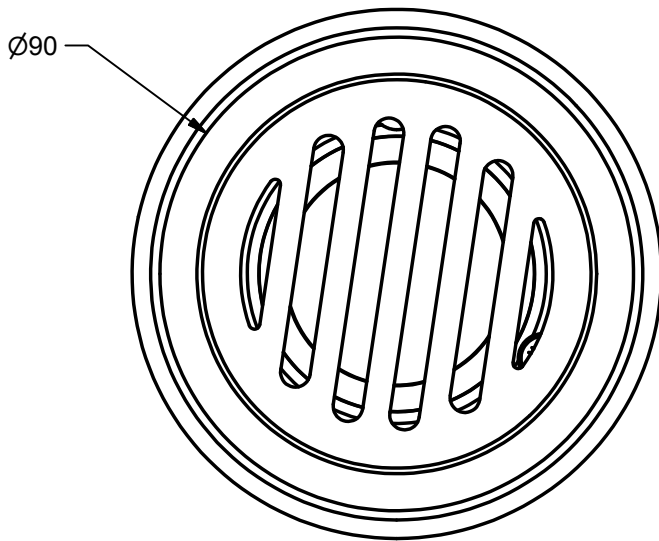
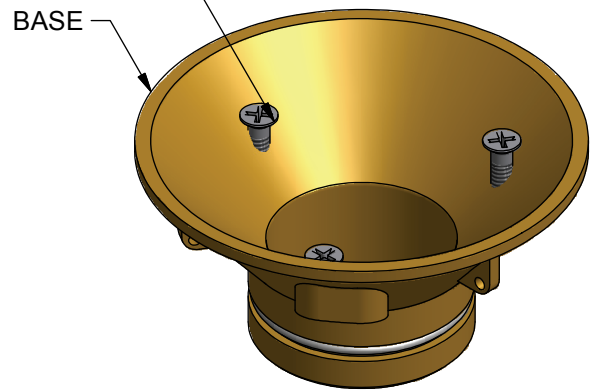


PRODUCT CODE  
 Chrome VFWP50CP



3 X STAINLESS SCREWS



RAMTAPS PTY. LTD.  
 556 Curtin Ave. East. Eagle Farm 4009.  
 Ph. (07) 3633 6000. Fax (07) 3633 6050.

Title  
**50mm VINYL FLOOR WASTE SET  
 TO SUIT 50mm PVC**

As part of Ramtaps commitment to quality products, Ramtaps reserves the right to alter the design or specification of its products without notice.

© 2009 All dimensions in mm. This drawing remains the property of Ramtaps and should not be copied or distributed without Ramtaps consent.

Code: **VFWP50CP**

Edition **01**

Date of Issue: **11/04/2011**