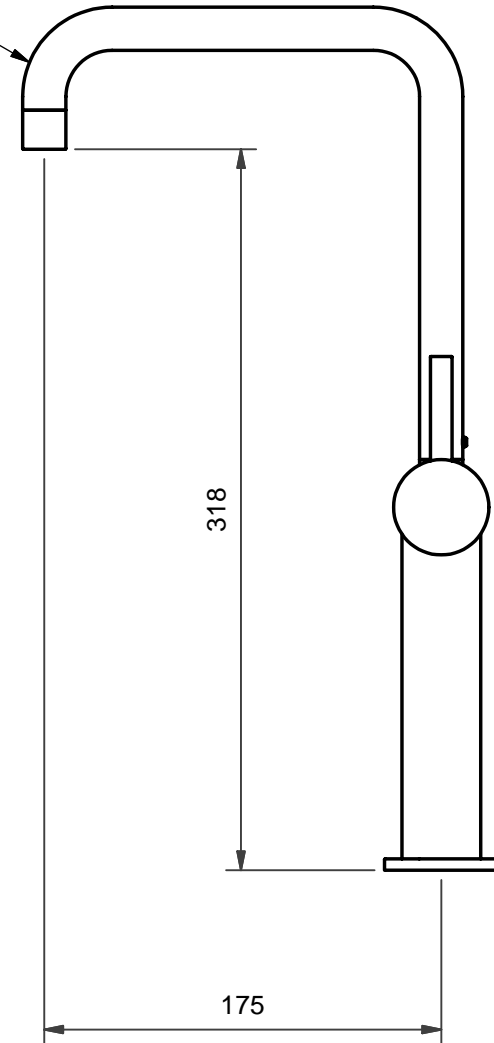
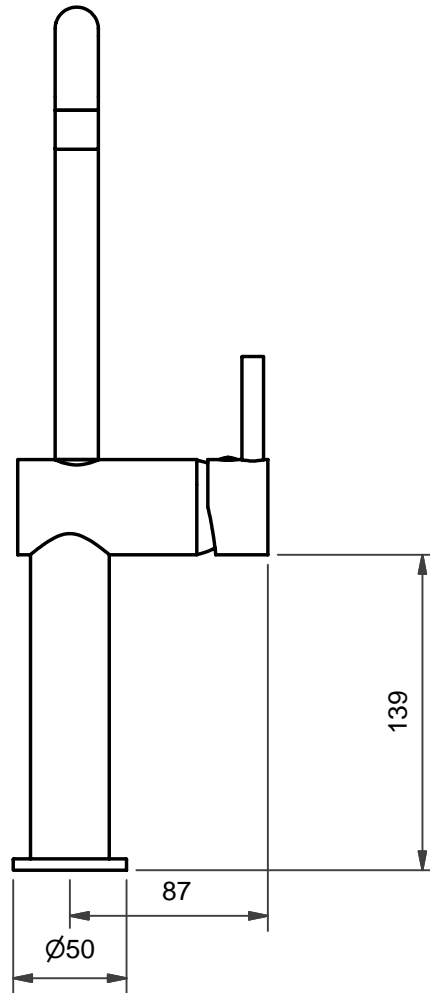


SPOUT SWIVELS 360°



**NOTES:**

Maximum Static Inlet Water Pressure : 800kpa

Maximum Water Temperature: 80°c

Maximum Bench Thickness 40mm

Required Hole Size Ø32-35mm

Supplied with Flexible Connectors, and  
Temperature and Flow Limit Cartridge



As part of Ramtaps commitment to quality products, Ramtaps reserves the right to alter the design or specification of it's products without notice.

RAMTAPS PTY. LTD.  
556 Curtin Ave. East, Eagle Farm 4009.  
Ph. (07) 3633 6060. Fax (07) 3633 6066.

© 2003 All dimensions in mm.  
This drawing remains the property of Ramtaps and should not be copied or distributed without Ramtaps consent.

Title:

**PARK HORIZONTAL SWIVEL SINK  
MIXER WITH 100mm EXTENSION**

Code:

**PKLHSSMMQ**

Edition

**00**

Date of Issue:

**30/3/05**