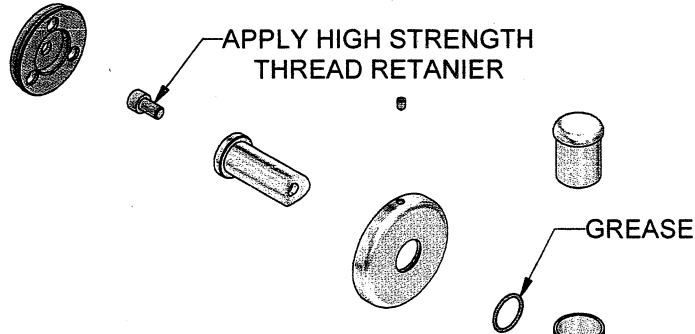


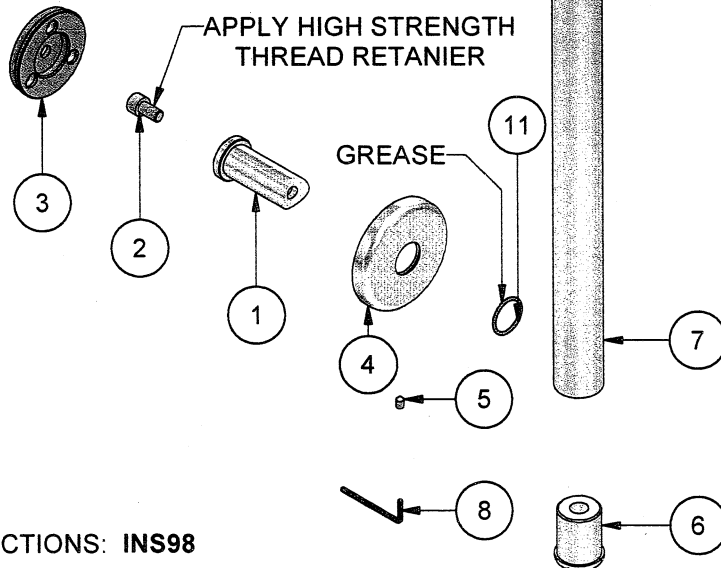


Parts List

ITEM	QTY	PART NUMBER	DESCRIPTION	COMMENTS
1	2	BAS96CP	Grab Rail Base	
2	2	SCR75	M8 x 1.25 - 16mm Long Hexagon Socket Head Cap Screw S/S	
3	2	RNG86	Grab Rail Locking Ring	
4	2	WPL45CP	Grab Rail Wall Plate	
5	2	SCR29	M5 x 8 Hex Socket Set Screw S/S	
6	2	SOC10CP	Grab Rail End Socket	
7	1	TUB118	Grab Rail Tube (600)	
8	1	AKEY2.5	2.5mm Allen Key	
9	2	SP9	Park Grab Rail Foam Insert	
10	1	CARTBP8PLAIN	710L X 140W X 105D Carton White	
11	2	OR22X2	O-Ring ID 22 x 2mm Wall	



CONTROLLED



NOTE:

1. INSTALLATION INSTRUCTIONS: **INS98**
2. LABEL: **PKGR600CP**

Drawn by markd
Checked by
Approved by
Unspecified Tolerance X.XX = ± 0.05 XX.X = ± 0.2 XXX = ± 0.5

RAM
TAPWARE

RAMTAPS PTY. LTD.
556 Curtin Ave. East, Eagle Farm 4009.
Ph. (07) 3633 6000. Fax (07) 3633 6050.

© 2007 All dimensions in mm.
This drawing remains the property of Ramtaps and should not be copied or distributed without Ramtaps consent.

File Name G:\WORK\Assembly\SHOWER DISABLED\PKGR600.idw			
Date Created 26/03/2008	Design State Released	Client: RAM	
Title PARK GRAB RAIL 600 CENTRES			
Code: PKGR600CP	Edition 01	Sheet 1 / 1	