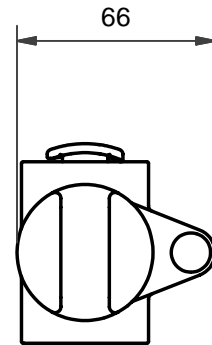
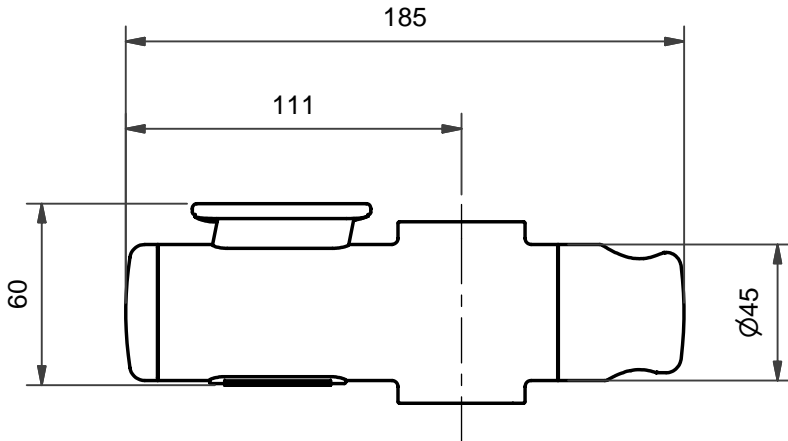
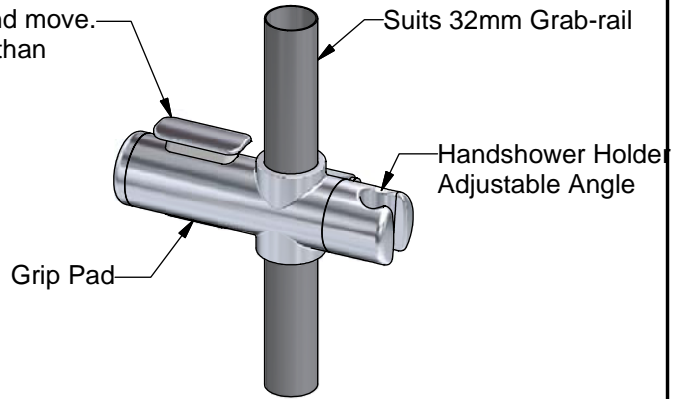
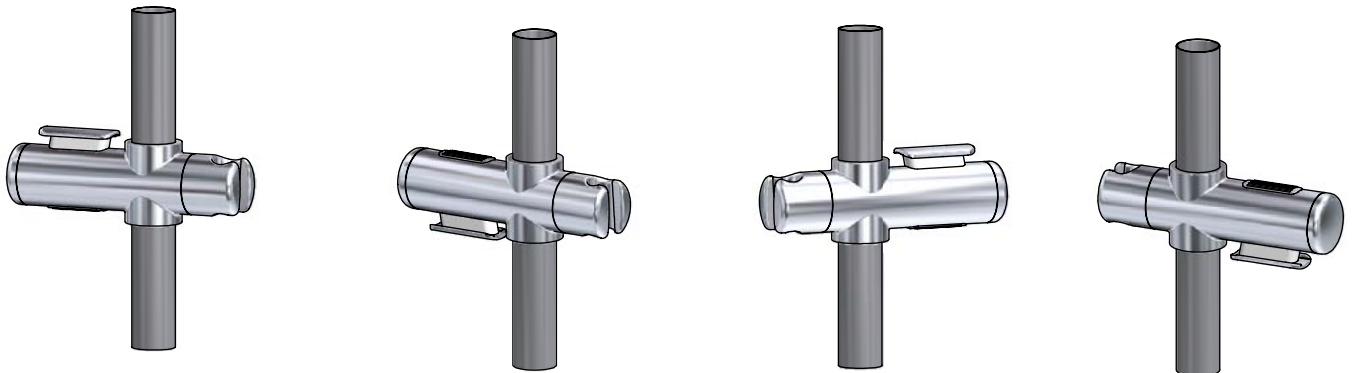


Handsize button to un-lock position and move.
Provides much easier adjustment than
standard lock-on holders



Multiple Mounting Position



Separate Left Hand or Right Hand configuration available.
Can be installed with button on top for finger squeeze or bottom for thumb squeeze.

Grab-rail Mounted Handshower Holder for people with disabilities.

- Designed in conjunction with advice from Occupational Therapy and Palliative Care experts.
- Supplied with or without an AS1428.1 compliant Grab-rail. Can be retro-fitted to existing 32mm grab-rails.
- Wide range of suitable handshowers available.
- Easily cleaned Bright Chrome finish.
- Choose Left or Right side holder button -

Left Button - Chrome - HSDGGHLCP
Right Button - Chrome - HSDGGHRCP

This product is a Registered Design of Ramtaps Pty. Ltd.



As part of Ramtaps commitment to quality products, Ramtaps reserves the right to alter the design or specification of it's products without notice.

RAMTAPS PTY. LTD.
556 Curtin Ave. East, Eagle Farm 4009.
Ph. (07) 3633 6060. Fax (07) 3633 6066.

© 2006 All dimensions in mm.
This drawing remains the property of Ramtaps and should not be copied or distributed without Ramtaps consent.

Title:

Grip'n Glide Handshower Holder

Code:

HSDGGH_CP

Edition

00

Date of Issue:

19/6/07