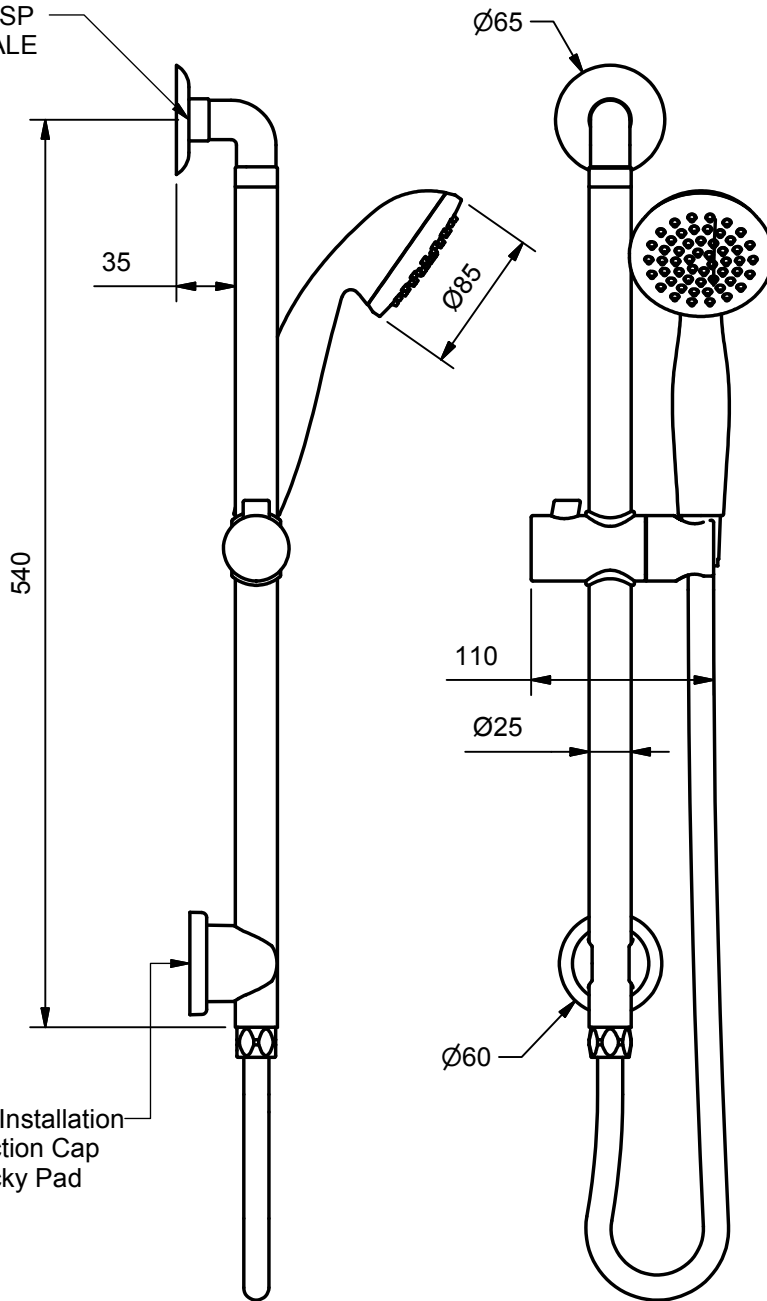
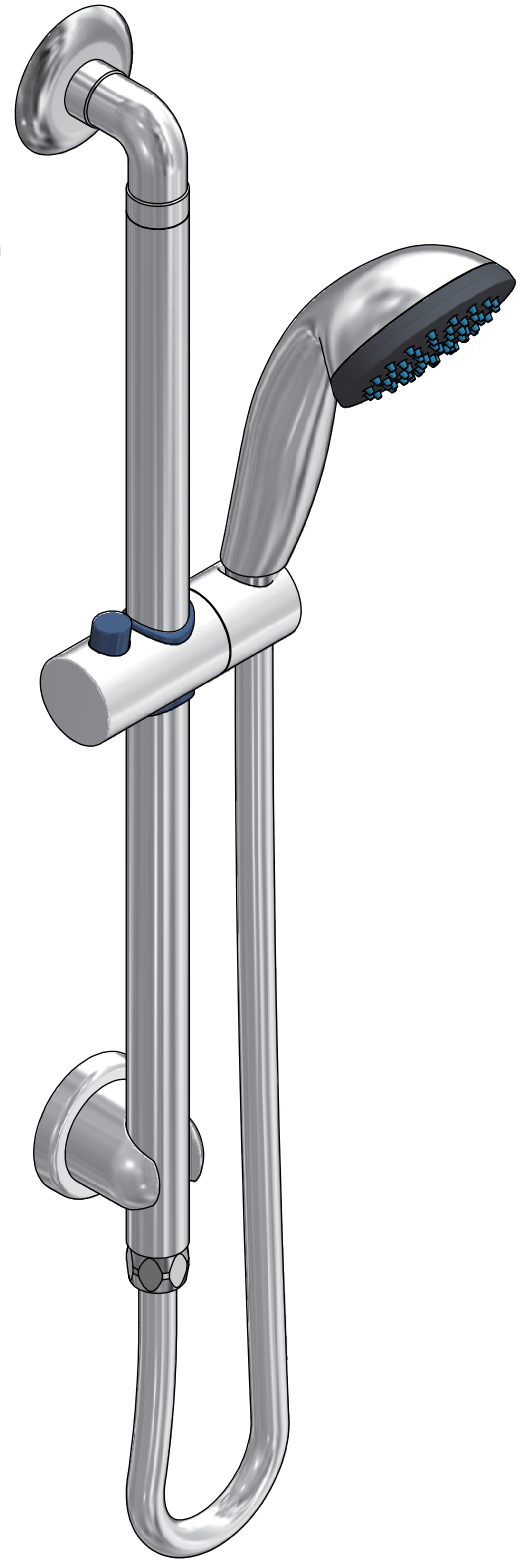


1/2" BSP
FEMALE



Drill Free Installation
with Suction Cap
or Sticky Pad



NOTES:

1. Maximum Hydrostatic Pressure: 1000kpa
2. Minimum Hydrostatic Pressure: 150kpa
3. Maximum Water Temperature: 80°C
4. Single Function Hand Shower
5. 1000mm Chrome Double - Hooked Hose
6. Brass Wall Elbow and Rail
7. Drill Free Installation

AVAILABLE WELS RATING & WELS REGISTRATION:

SHOWER: 3 STAR - 9 LPM & WELS Reg. Number - S09298



RAMTAPS PTY. LTD.
556 Curtin Ave. East. Eagle Farm 4009.
Ph. (07) 3633 6000. Fax (07) 3633 6050.

Title

**DRILL FREE HAND SHOWER AND
RAIL**

Code:

HSDf1CP

Edition

02

Date of Issue:

28/07/2016

As part of Ramtaps commitment to quality products, Ramtaps reserves the right to alter the design or specification of its products without notice.

© 2009 All dimensions in mm.
This drawing remains the property of Ramtaps and should not be copied or distributed without Ramtaps consent.