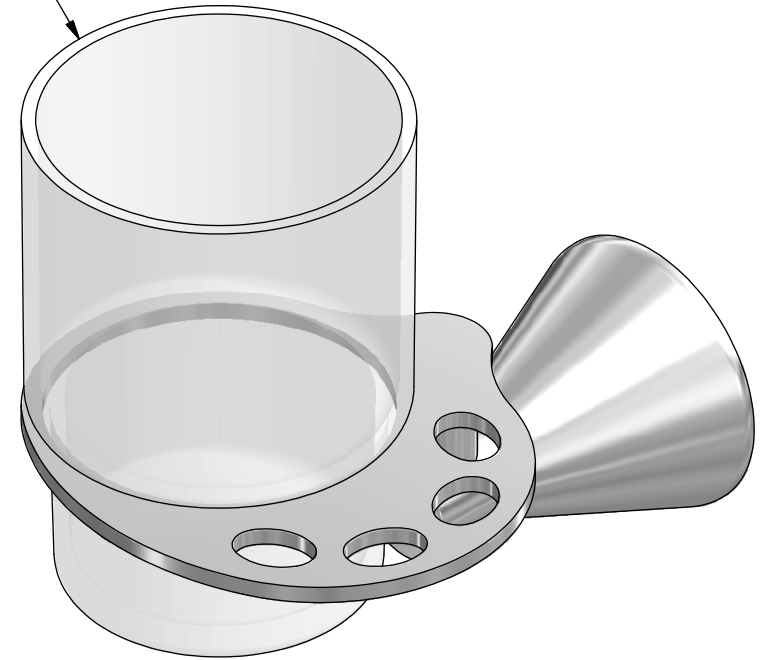


REMOVABLE  
FROSTED GLASS CUP



NOTES:

1. FIXINGS: 2 CSK PHILIPS DRIVE WOOD SCREWS GAL. PER BASE (50mm & 35mm LONG). MATCHING WALL PLUGS PROVIDED.
2. SUPPLIED WITH REMOVABLE FROSTED GLASS CUP.
3. BASES ARE BRASS.



As part of Ramtaps commitment to quality products, Ramtaps reserves the right to alter the design or specification of it's products without notice.

RAMTAPS PTY. LTD.  
556 Curtin Ave. East. Eagle Farm 4009.  
Ph. (07) 3633 6000. Fax (07) 3633 6050.

© 2009 All dimensions in mm.  
This drawing remains the property of Ramtaps and should not be copied or distributed without Ramtaps consent.

Title

AURORA TOOTHBRUSH HOLDER

Code:

AUTBHCP

Edition

01

Date of Issue:

9/02/2011